

**Self propelled aerial platform, articulated & telescopic.  
Diesel, for working heights up to 21 meter (68,89 feet)  
It can be driven safely with the platform at top of his height.  
4 wheel drive & 4 wheel steering with three positions.  
Oscilanting axle and hydraulic stabilizers.  
Proportional and simultaneous controls. It weights 10000kg**



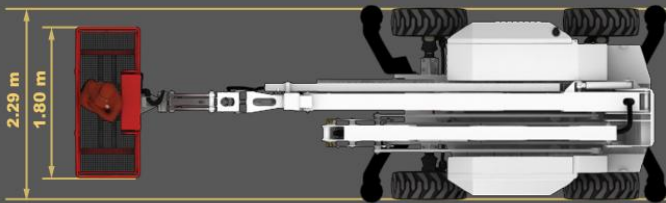
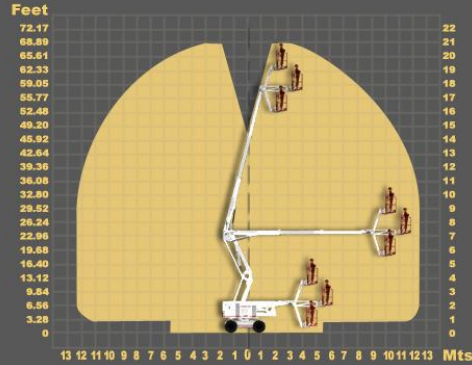
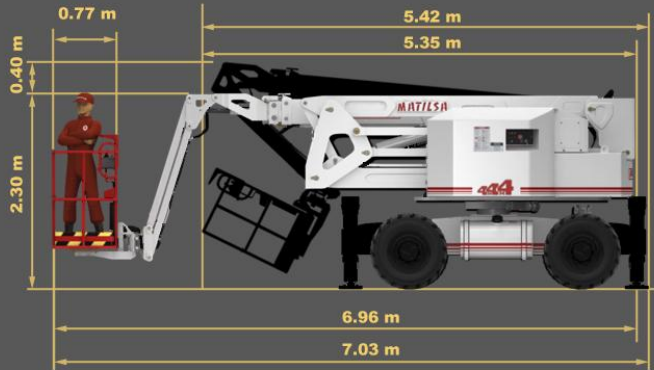
### **Parma21D standard**

**Platform with diferent motorizations // Electronic level // Emergency lowering from the basket //  
Basket (1.6 x 0,7)m // Proportional controls // Safety pedal // Oscilating axle // 4x4 wheel drive & 4 wheel  
steering with 3 position // Hydraulic stabilisers // Basket rotation 180°**

WE MANUFACTURE



## PARMA 21D



## Optional accessories

- 1 Electric outlet in basket
- 2 Hour meter
- 3 Quick outlet for air and water
- 4 Rotating light
- 5 Automatic leveling

